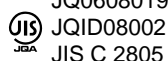
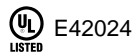
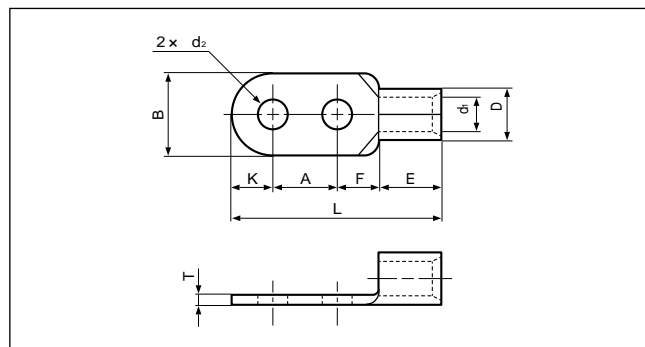


二ツ穴端子 (RD形)



JQ0608019

JQID08002

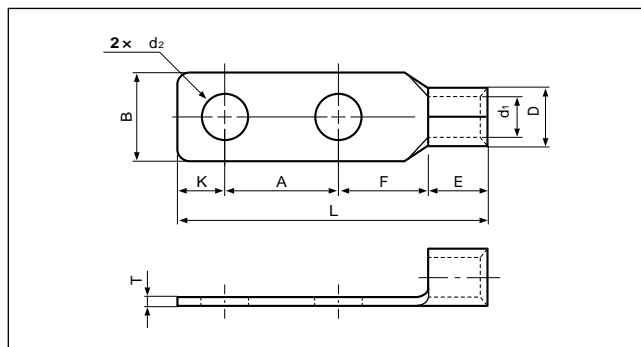
JIS C 2805

形番	規格	寸法(mm)										適用電線範囲			適用圧着工具		1箱入数(個)
		ød ₂	B	L	F	A	K	E	øD	ød ₁	T	単線(mm)	撚線(mm ²)	AWG(#)	空気圧式	油圧式	
RD38-10		11.0	22.0	84.0	28.0	32.0	10.0	14.0	13.3	9.4	1.8	5.81	26.66	2	YA-5	YPT-60N, YPT-150-1 BCT-860L, BCT-8150L-B (本体) YF-1, E-4, EP-1 (ヘッド) YET-60-1 YET-150-2	50
RD38-12		14.0			20.0	40.0						7.34	42.42				
RD60-10		11.0	22.0	78.0	17.0	32.0	11.0	18.0	15.5	11.4	2.0	7.34	42.42	1/0	YA-5	YPT-60N, YPT-150-1 BCT-860L, BCT-8150L-B (本体) YF-1, E-4, EP-1 (ヘッド) YET-60-1 YET-150-2, YET-300-1 YET-300N	50
RD60-12		14.0			20.0	40.0						8.26	60.57				
RD60-14		16.0	32.0	95.0	21.0	16.0											
RD70-10		11.0	24.0	80.0	17.0	32.0	12.0	19.0	17.5	13.3	2.0	8.26	60.57	2/0		YPT-150-1 BCT-8150L-B (本体) YF-1 E-4, EP-1 (ヘッド) YET-150-2 YET-300-1 YET-300N	25
RD70-12		14.0		20.0	40.0	9.27						76.28					
RD80-10		11.0	27.0	82.5	32.0	32.0	13.5	20.0	19.5	14.5	2.3	9.27	76.28	3/0			
RD80-12		14.0		40.0	40.0	10.41						96.3					
RD100-0(12)		-		95.5	-	-											
RD100-10		11.0	28.5	84.3	17.0	32.0	14.3	21.0	22.3	16.4	2.6	10.41	96.3	4/0	-	YET-150-2 YET-300-1 YET-300N	20
RD100-12		14.0		20.2	40.0	11.68						117.2					
RD100-14		16.0	32.0	98.0	21.0	16.0											
RD150-0		-		-	-	-											
RD150-12		14.0	36.0	106.0	21.0	40.0	18.0	27.0	26.5	19.5	3.2	11.68	117.2	250/ 300MCM			
RD150-14		16.0			18.0	13.8						152.05					
RD180-12		14.0	38.5	108.8	21.0	40.0	19.3	28.5	28.5	21.0	3.5	13.8	152.05	350MCM	-	(本体) YF-1, E-4 (ヘッド) YET-300-1 YET-300N	20
RD180-14		16.0			15.6	192.60											
RD200-0		-		-	-	-											
RD200-12		14.0	44.0	116.5	23.0	40.0	22.0	31.5	32.7	24.0	4.0	15.6	192.60	400MCM	-	YET-300-1 YET-300N	10
RD200-14		16.0			22.0	17.5						242.27					
RD250-12		14.0	44.0	116.5	23.0	40.0	22.0	31.5	35.6	26.0	4.5	-	250	-	-	(本体) YF-1, E-4 (ヘッド) YET-300-1	10
RD250-14		16.0															
RD325-0		-		-	-	-											
RD325-12		14.0	50.5	123.8	23.0	40.0	25.3	35.5	37.6	28.0	4.5	17.5	242.27	600/ 650MCM	-	(本体) YF-1, E-4 (ヘッド) YET-300-1, YET-300N	5
RD325-14		16.0			20.3	325											

注1) 二ツ穴端子にはJR(車両)用タイプもありますので参照ください。

注2) 本製品の中には多少納期を要するものもあります。

二ツ穴端子(NTT形)



形番	寸法(mm)										適用電線範囲			適用圧着工具			1箱入数(個)
	ød ₂	B	L	F	A	K	E	øD	ød ₁	T	単線(mm)	撚線(mm ²)	AWG(#)	手動	空気圧式	油圧式	
5.5-D-4	4.3										1.82	2.63	12	YHT-2210	YA-1, YA-2 YAT-1A YAT-2A YAD-1A YAD-2A, YA-4 YAT-4A YAD-4A	BCT-0514L	500
5.5-D-5	5.3	10.0	34.7	10.9	12.0	5.0	6.8	5.6	3.4	1.0	2.89	6.64	10				
8-D-5	5.3	15.0	38.0	11.5	12.0	6.0	8.5	7.1	4.5	1.2	2.89	6.64	8	YHT-8S	YA-4 YA-5 YAT-4A YAD-4A	YPT-60N YPT-150-1 BCT-0514L BCT-860L BCT-8150L-B (本体) YF-1, E-4, EP-1 (ヘッド) YET-60-1 YET-150-2	200
8-D-6	6.4										3.65	10.52					
8-D-8	8.4										22.0	66.5					
14-D-5	5.3	15.0	48.0	14.5	16.0	7.0	12.0	11.5	7.7	1.8	4.62	16.78	4	—	YA-5	YPT-60N YPT-150-1 BCT-860L BCT-8150L-B (本体) YF-1, E-4, EP-1 (ヘッド) YET-60-1 YET-150-2	100
14-D-6	6.4										5.81	26.66					
14-D-8	8.4										7.34	42.42					
14-D-10	10.5										7.34	42.42					
22-D-5	5.3	18.0	52.0	15.0	16.0	7.0	14.0	13.3	9.4	1.8	5.81	26.66	2	—	YA-5	YPT-60N, YPT-150-1 BCT-860L, BCT-8150L-B (本体) YF-1, E-4, EP-1 (ヘッド) YET-60-1 YET-150-2 YET-300-1, YET-300N	50
22-D-6	6.4										7.34	42.42					
22-D-8	8.4										10.41	96.3					
22-D-10	10.5										11.68	117.2					
38-D-5	5.3	22.0	77.0	22.0	28.0	13.0	20.7	22.3	16.4	2.7	10.41	96.3	4/0	—	—	YPT-150-1 BCT-8150L-B (本体) YF-1, E-4, EP-1 (ヘッド) YET-150-2 YET-300-1 YET-300N	25
38-D-6	6.4										11.68	117.2					
38-D-8	8.4										11.68	117.2					
38-D-10	10.5										13.8	152.05					
60-D-12	14.0	22.0	89.5	16.5	40.0	15.0	18.0	15.5	11.4	2.0	7.34	42.42	1/0	—	—	YPT-60N, YPT-150-1 BCT-860L, BCT-8150L-B (本体) YF-1, E-4, EP-1 (ヘッド) YET-60-1 YET-150-2 YET-300-1, YET-300N	50
100-D-10	11.0	28.5	88.7	21.0	32.0	15.0	20.7	22.3	16.4	2.7	10.41	96.3	4/0	—	—	YPT-150-1 BCT-8150L-B (本体) YF-1, E-4, EP-1 (ヘッド) YET-150-2 YET-300-1 YET-300N	20
100-D-12	14.0		95.0	20.0	40.0		20.0				11.68	117.2					
150-D-12	14.0	36.0	106.0	21.0	40.0	18.0	27.0	26.5	19.5	3.3	11.68	117.2	250/ 300MCM	—	—	YPT-150-1 BCT-8150L-B (本体) YF-1, E-4, EP-1 (ヘッド) YET-150-2 YET-300-1 YET-300N	20
200-D-12	14.0	43.5	115.7	25.0	40.0	18.0	32.7	32.7	24.0	4.0	15.6	192.60	400MCM	—	—	(本体) YF-1, E-4 (ヘッド) YET-300-1 YET-300N	10
325-D-12	14.0	50.5	124.0	30.5	40.0	18.0	35.5	37.6	28.0	4.5	17.5	242.27	600/ 650MCM	—	—	(本体) YF-1, E-4 (ヘッド) YET-300-1 YET-300N	5

注) 本製品の中には多少納期を要するものもあります。